





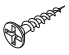



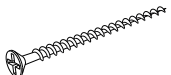
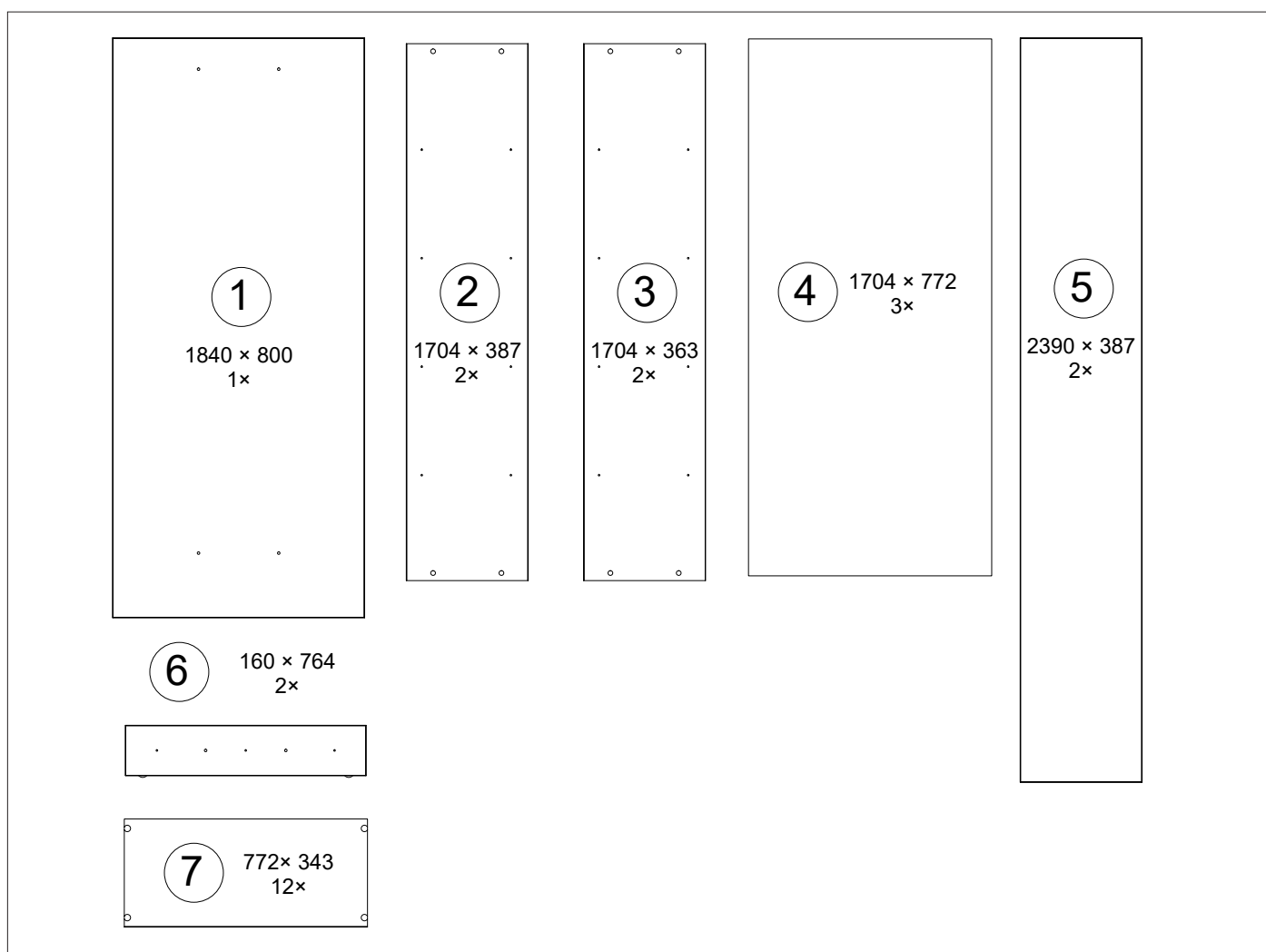
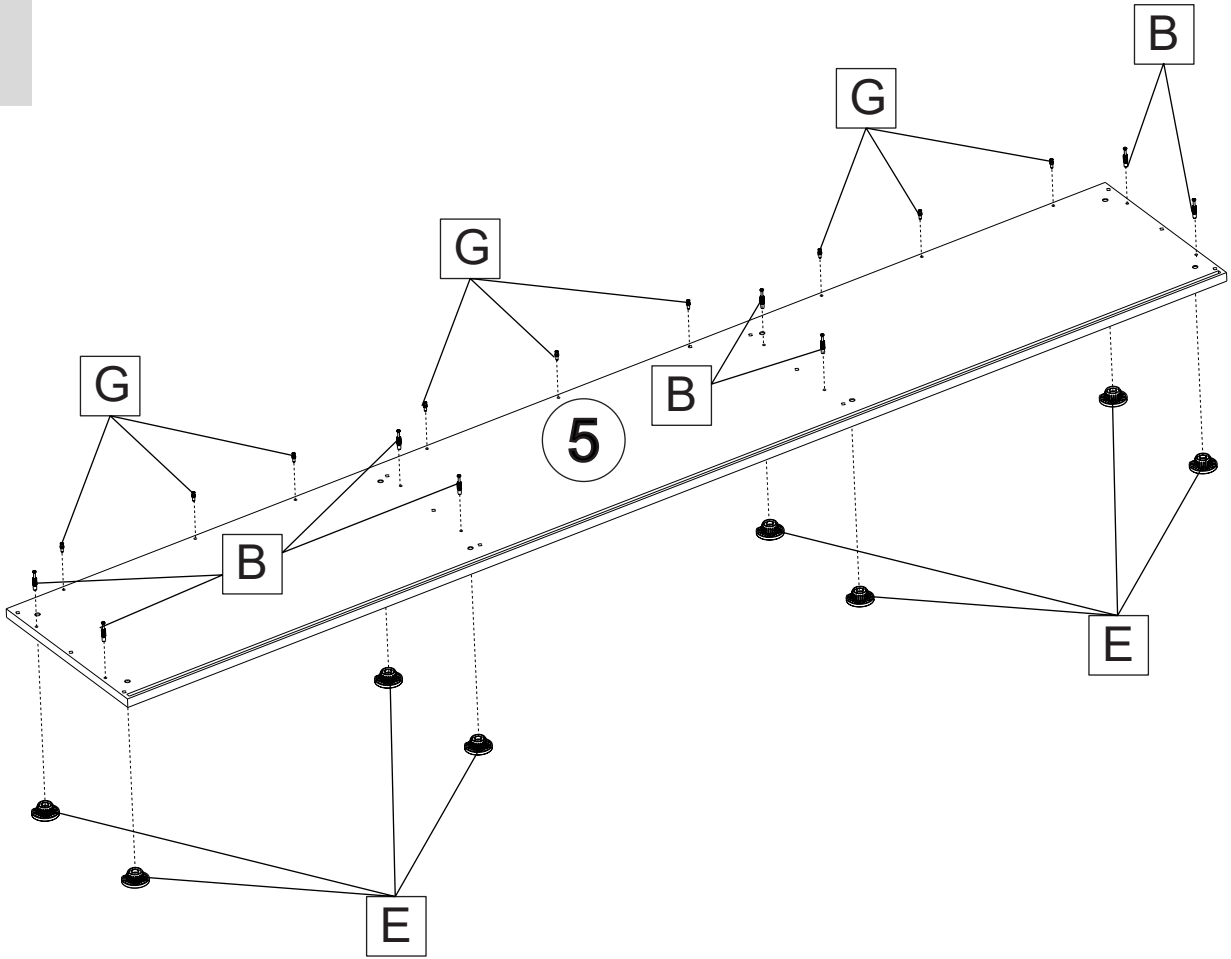
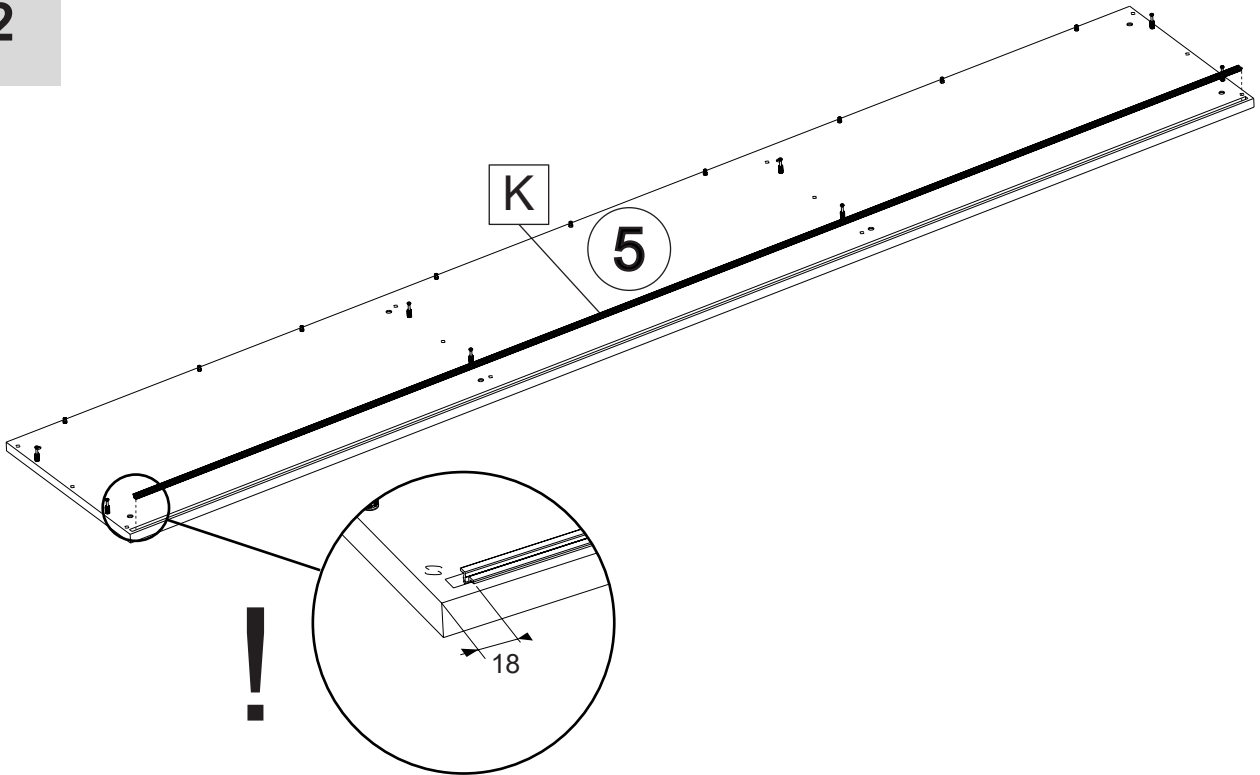
 Ø8 × 35	 16×	 16×	 16×	 8×	 84×	 84×	 Ø3,5 × 16 12×
A 28×	B 16×	C 16×	D 16×	E 8×	F 84×	G 84×	H 12×
 2×	 2×	 2×		 Ø3,5 × 40 6×			
I 2×	J 2×	K 2×	K 6×				



1

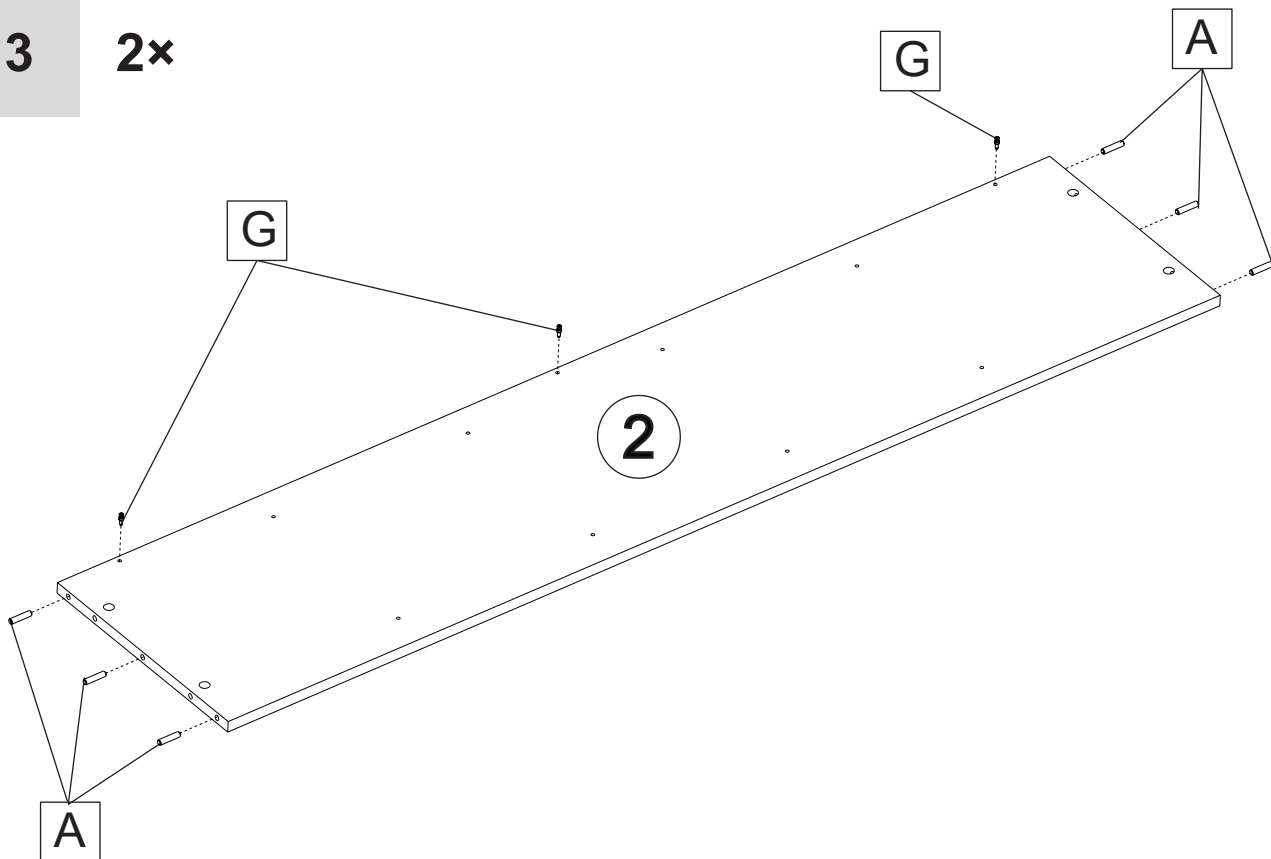


2

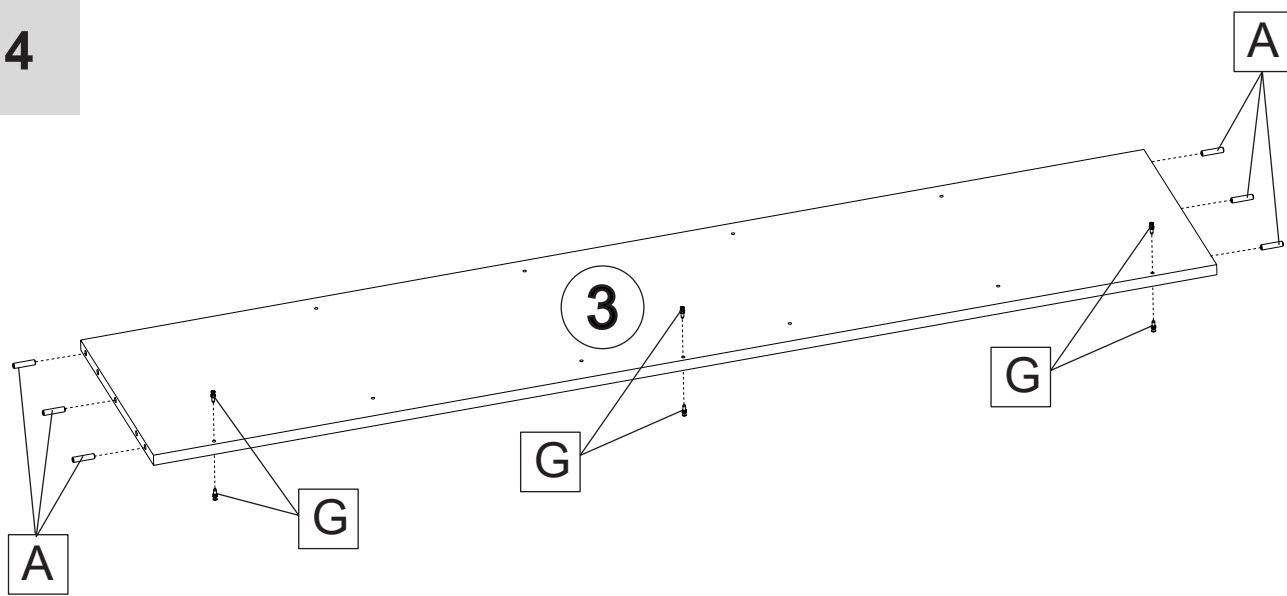


3

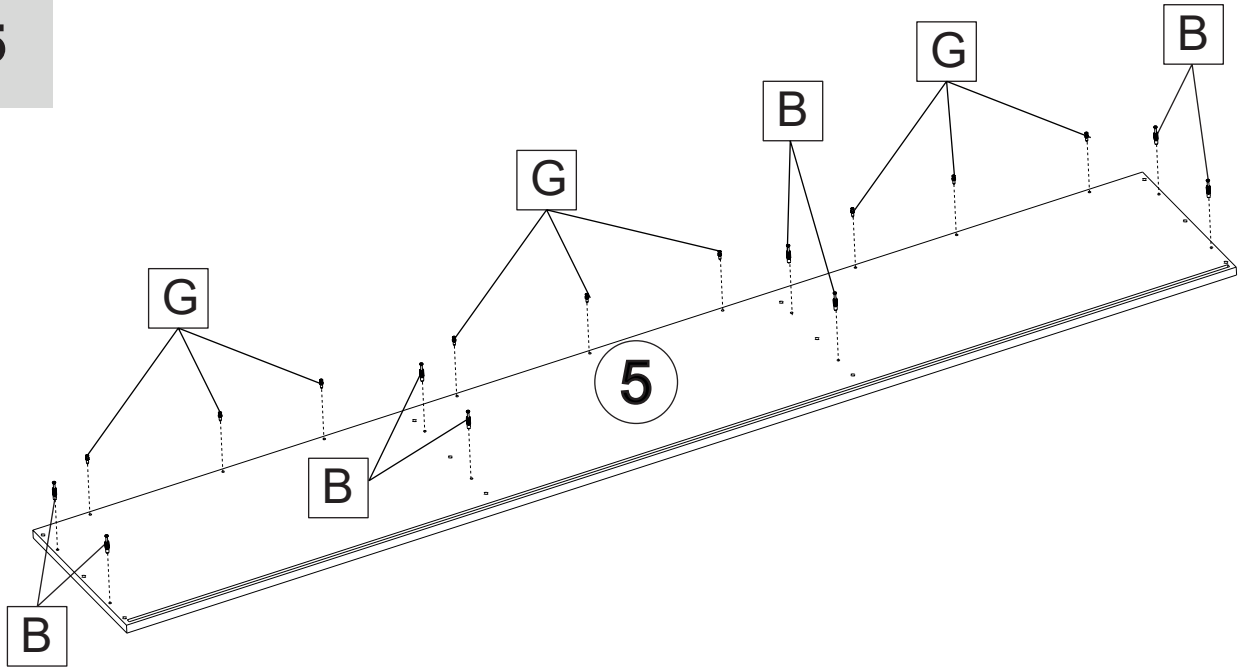
2x



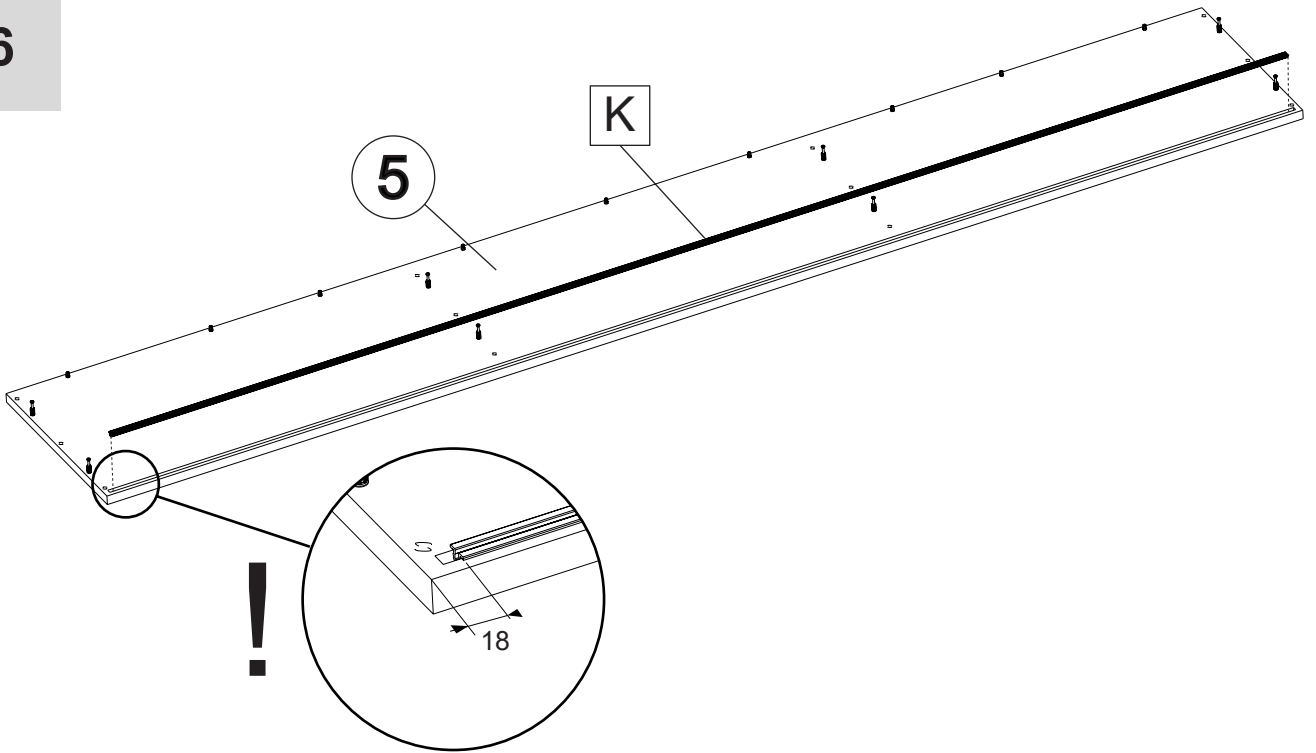
4



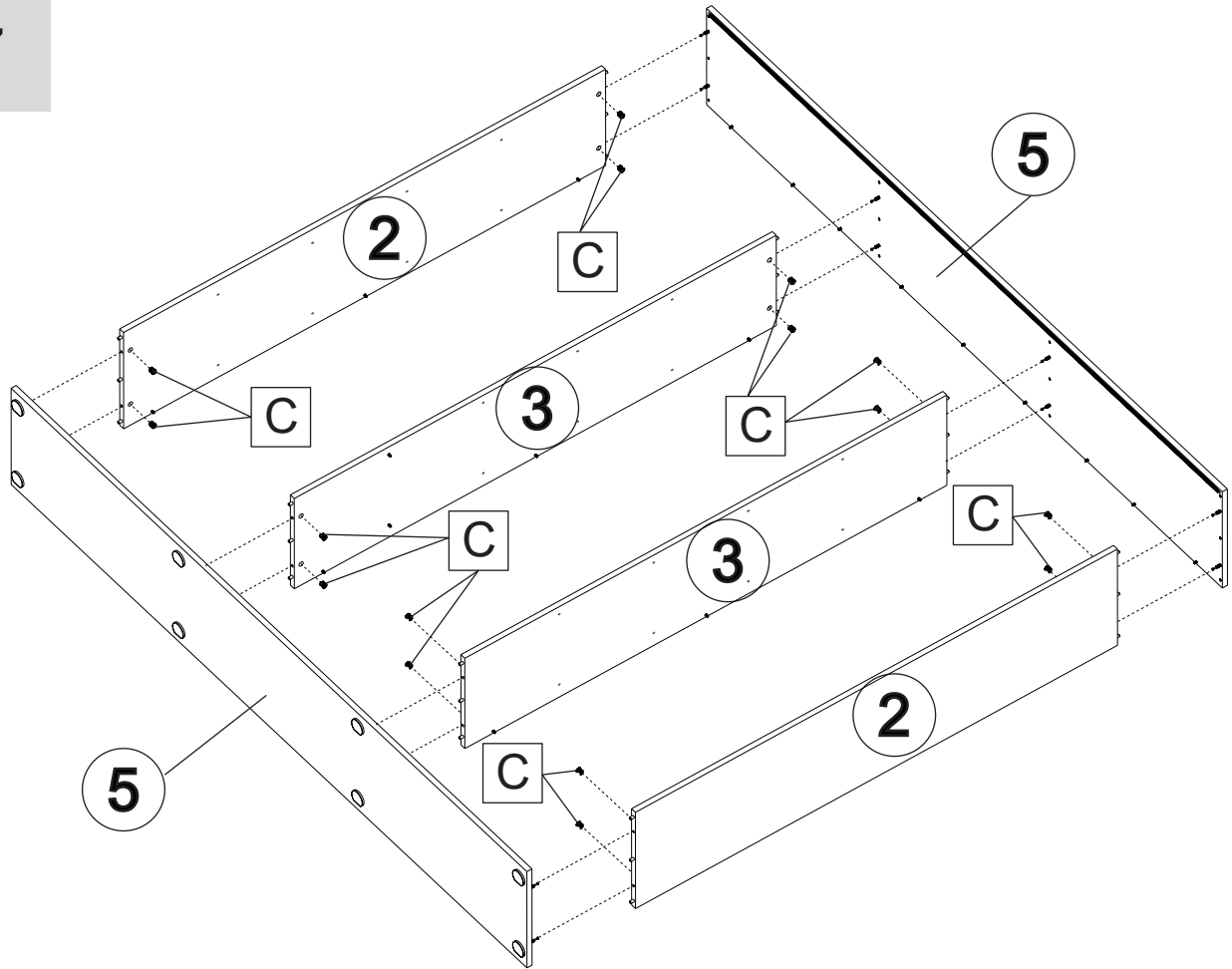
5



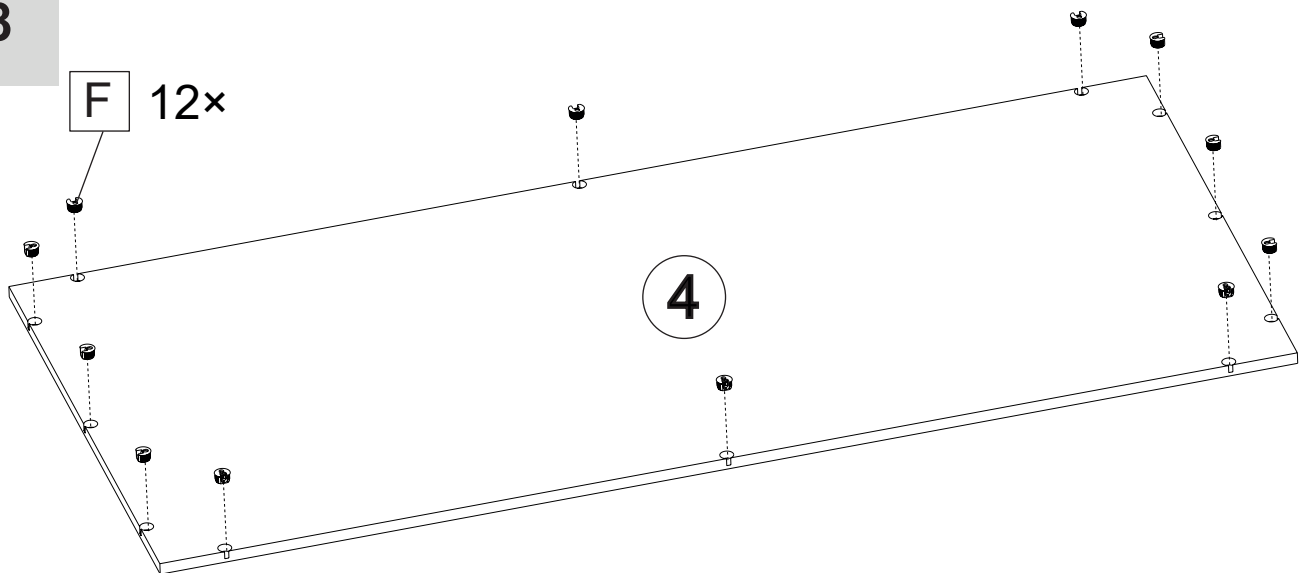
6



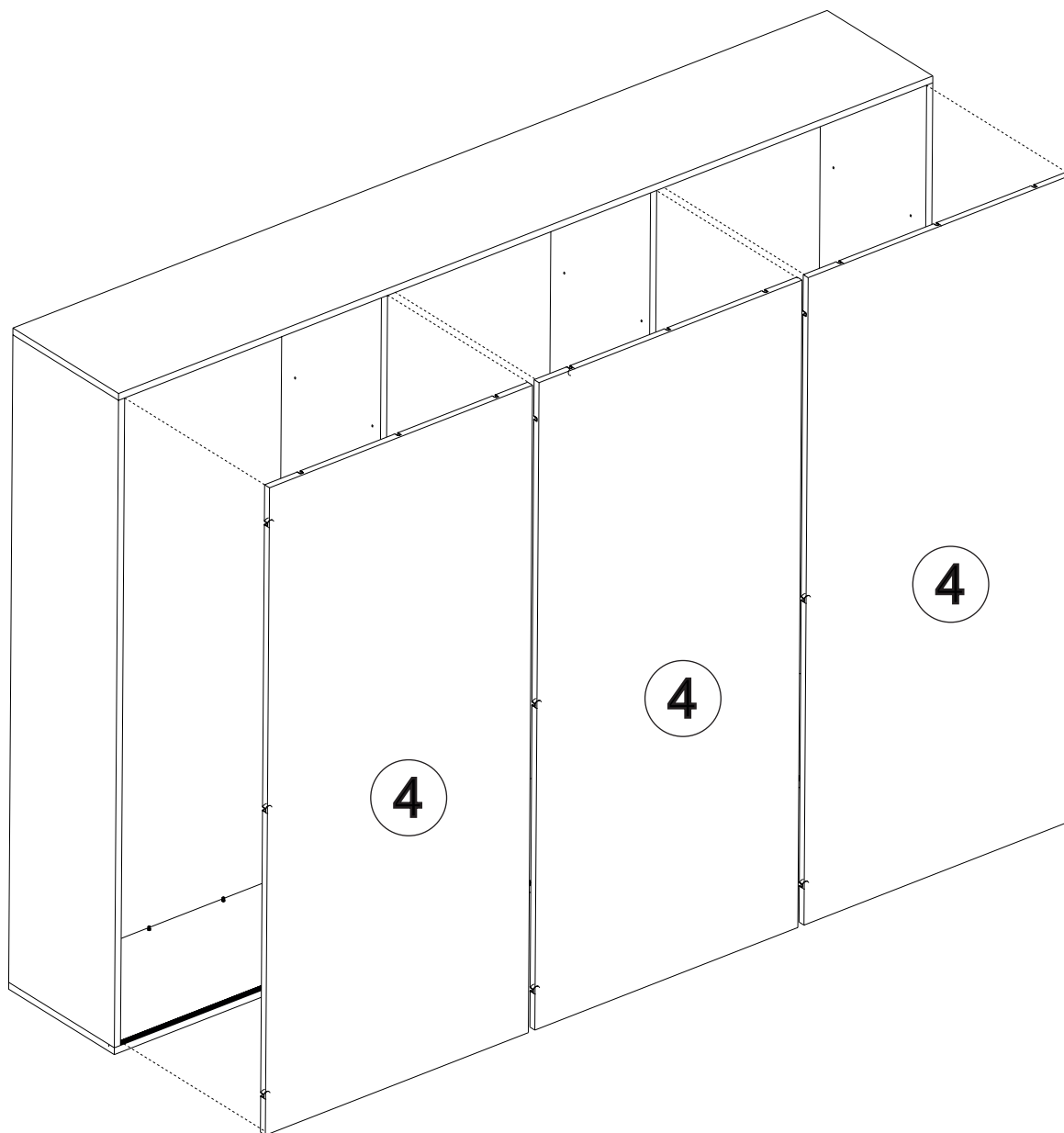
7



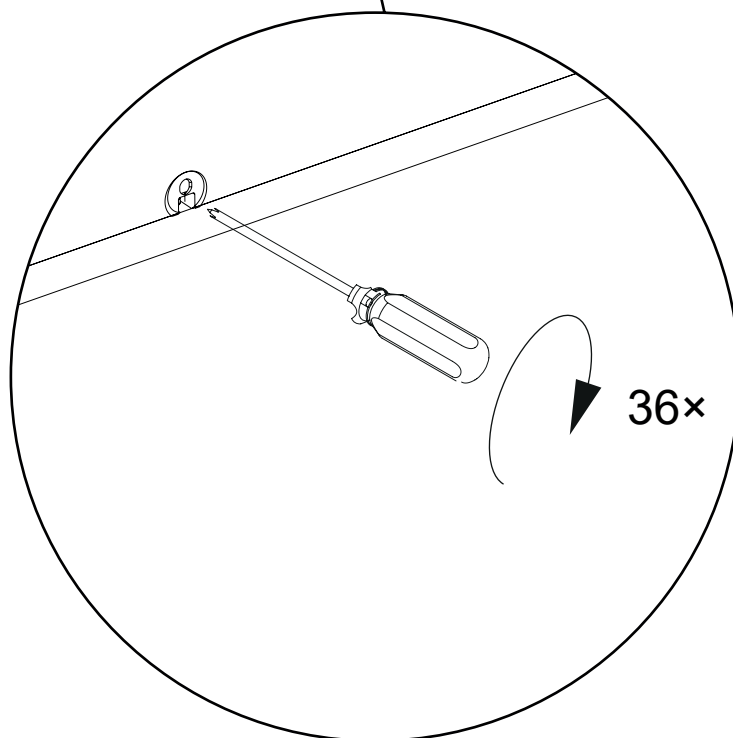
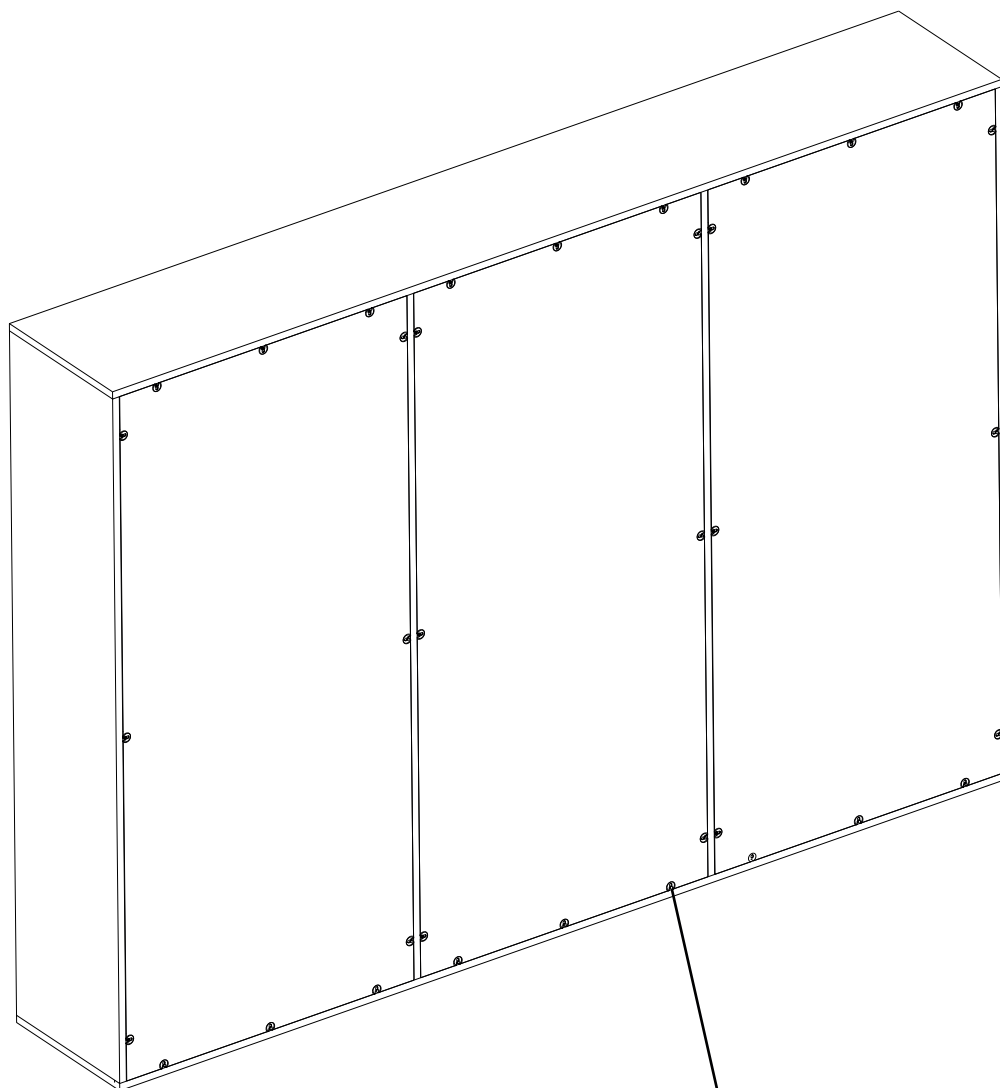
8



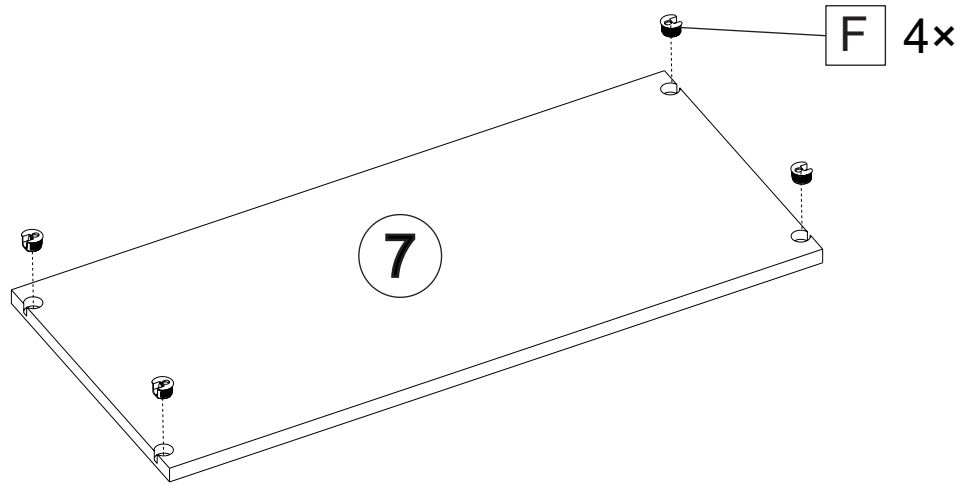
9



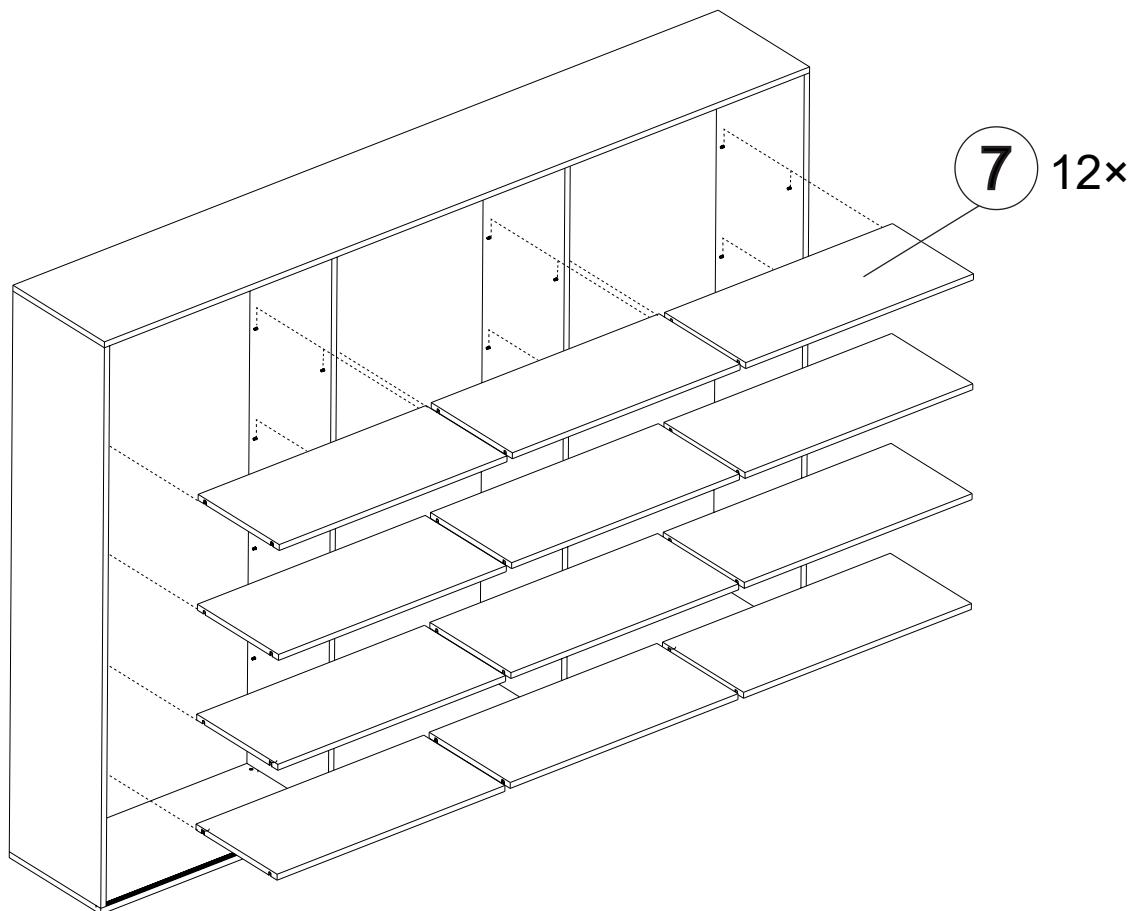
10



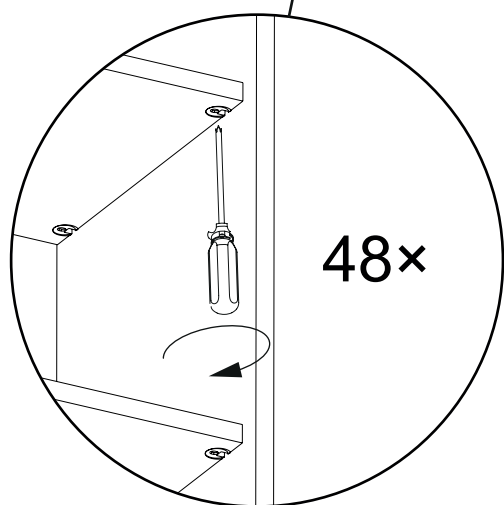
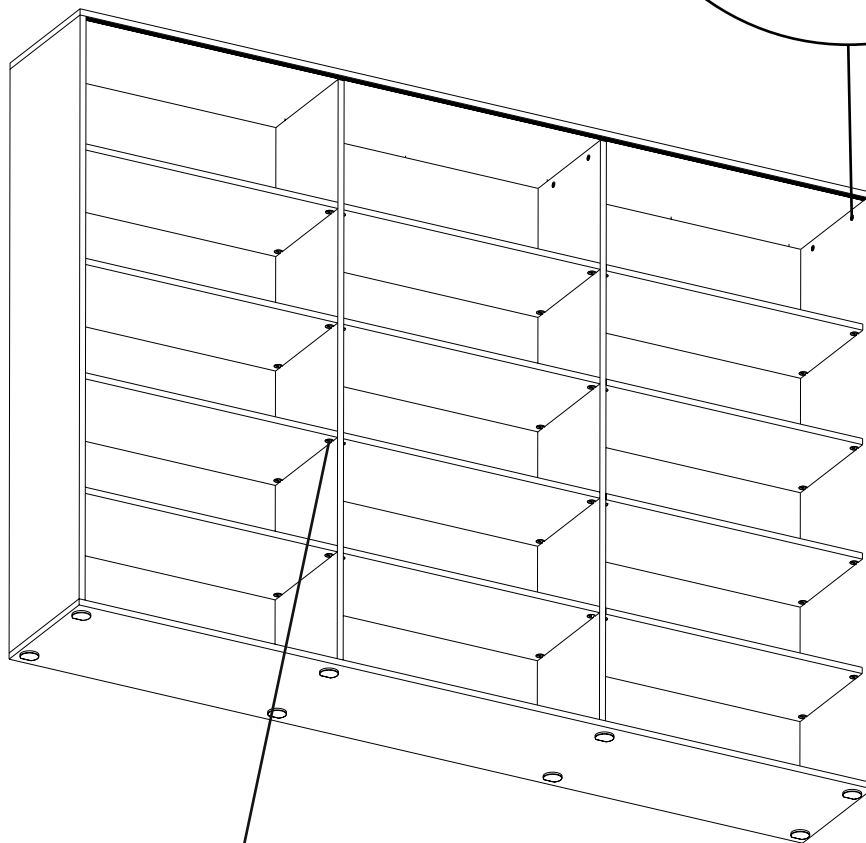
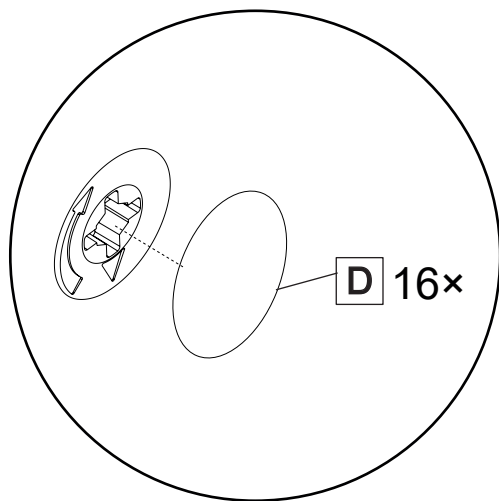
11



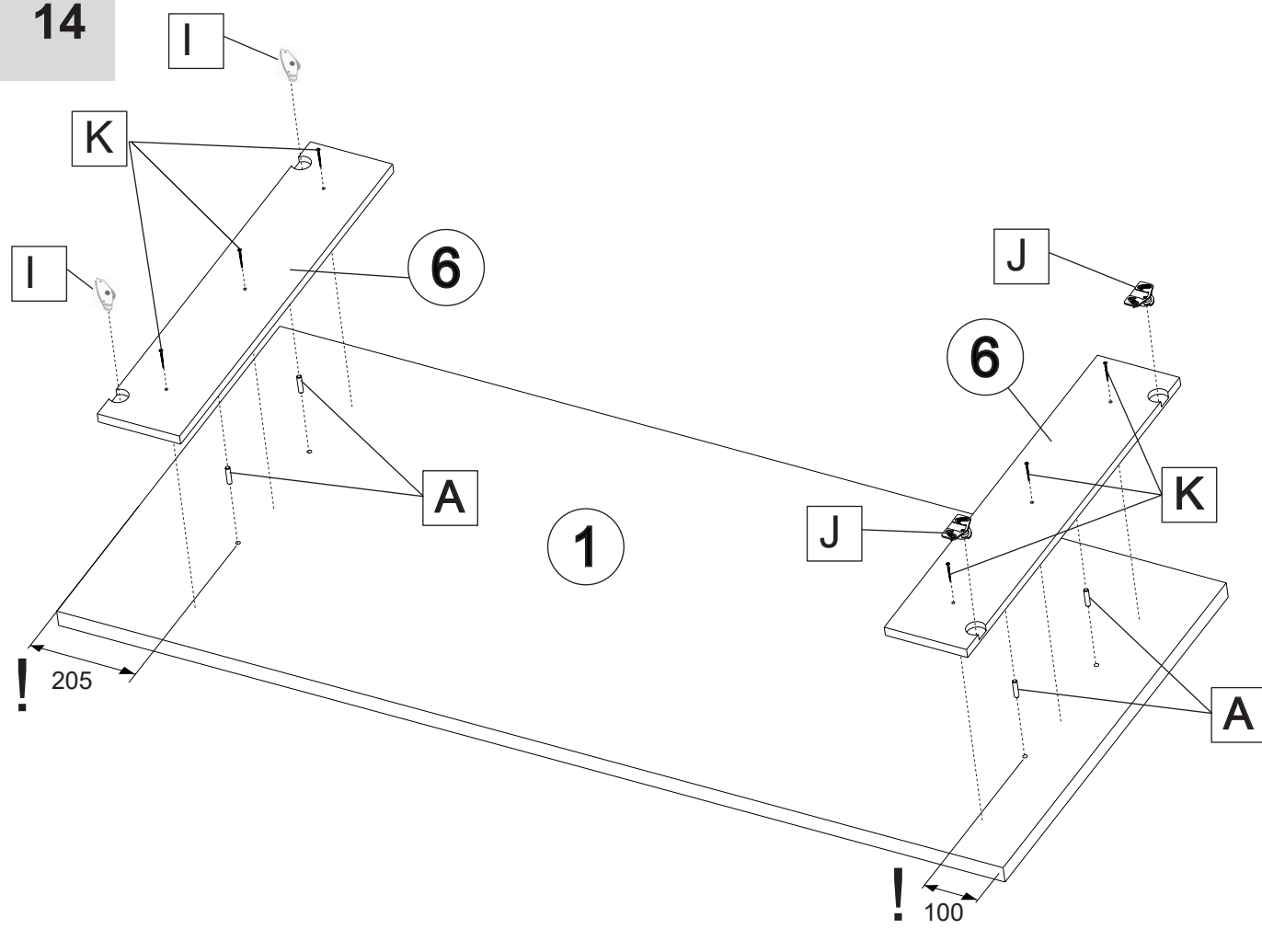
12



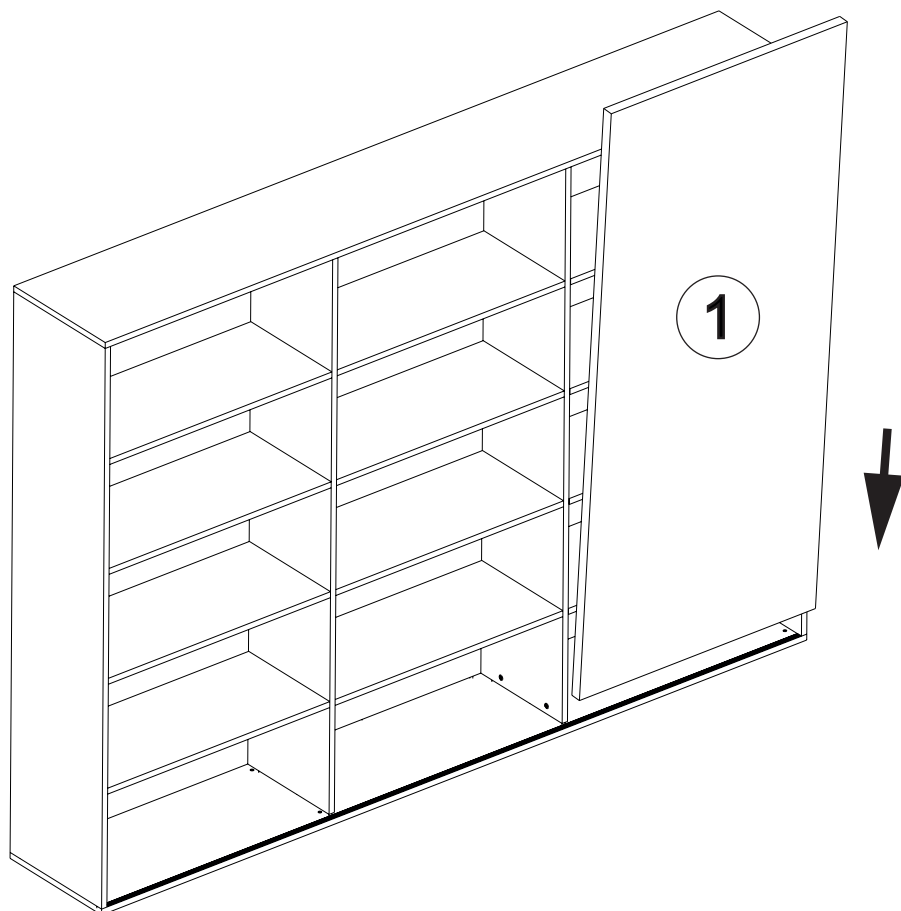
13



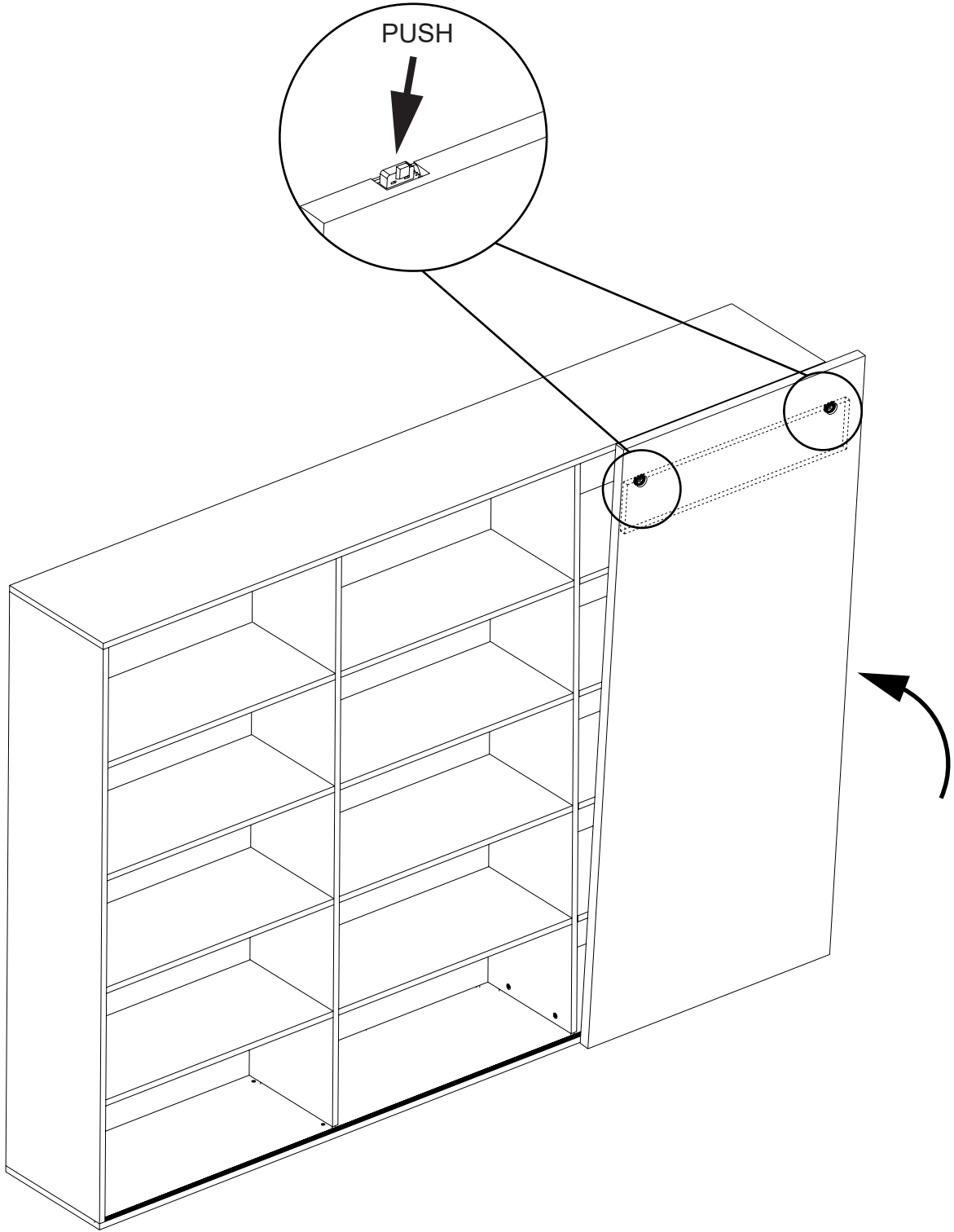
14



15



16



17

6x

