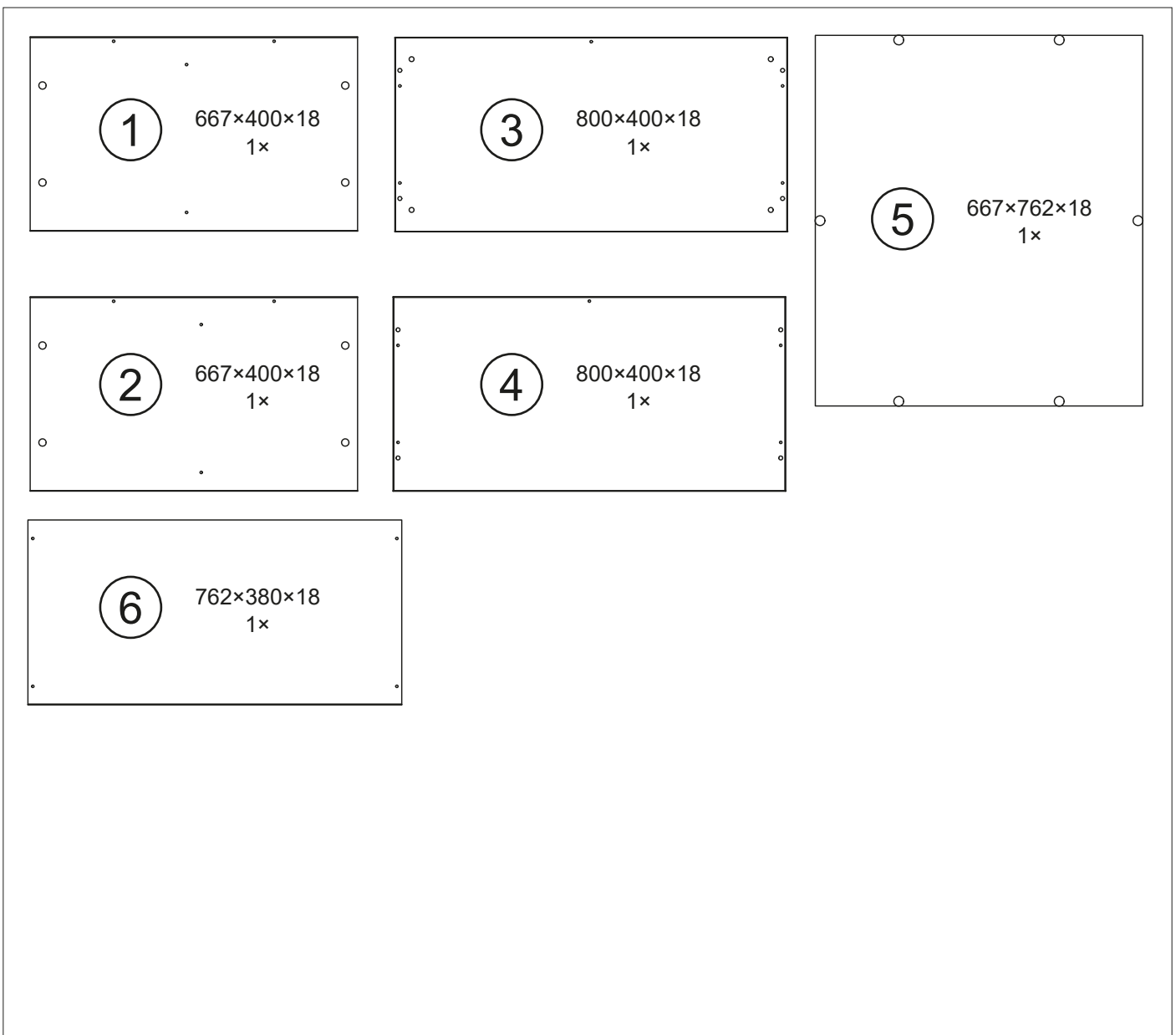
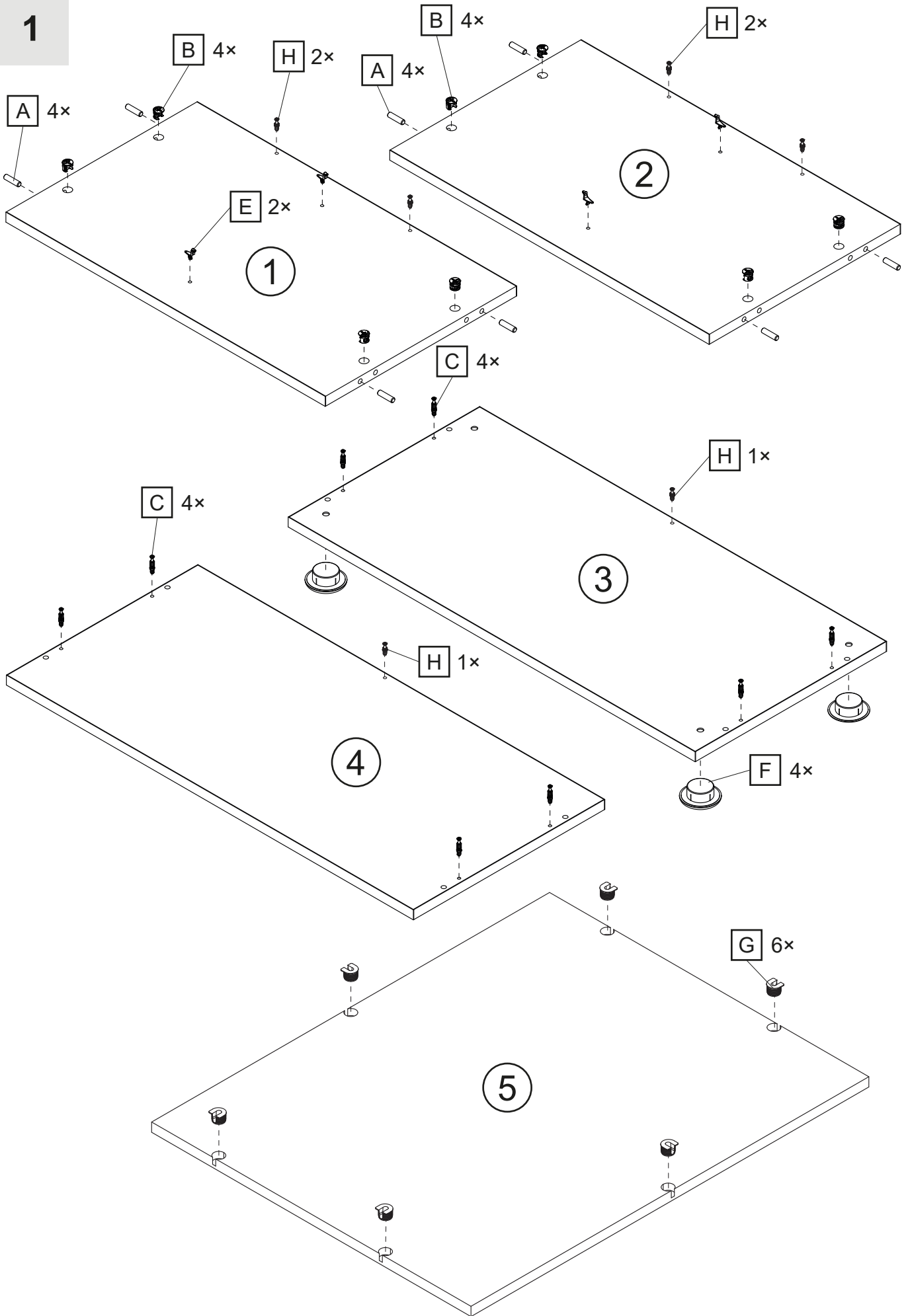
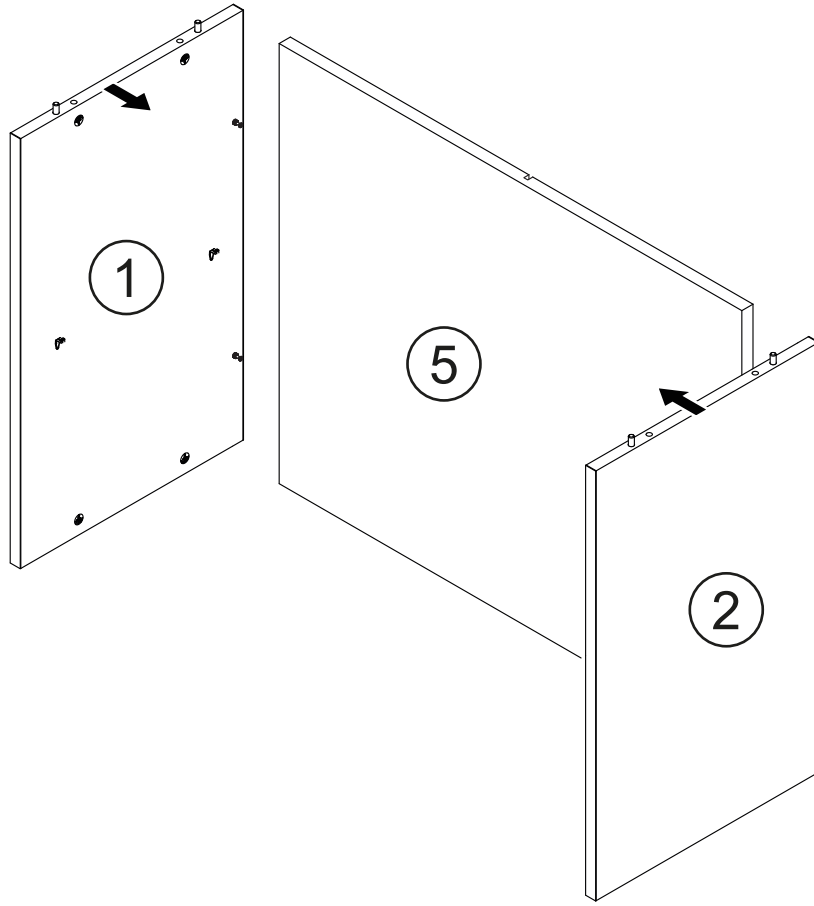

Ø8 x 35		Ø8 x 24					
A 8x	B 8x	C 8x	D 8x	E 4x	F 4x	G 6x	H 6x



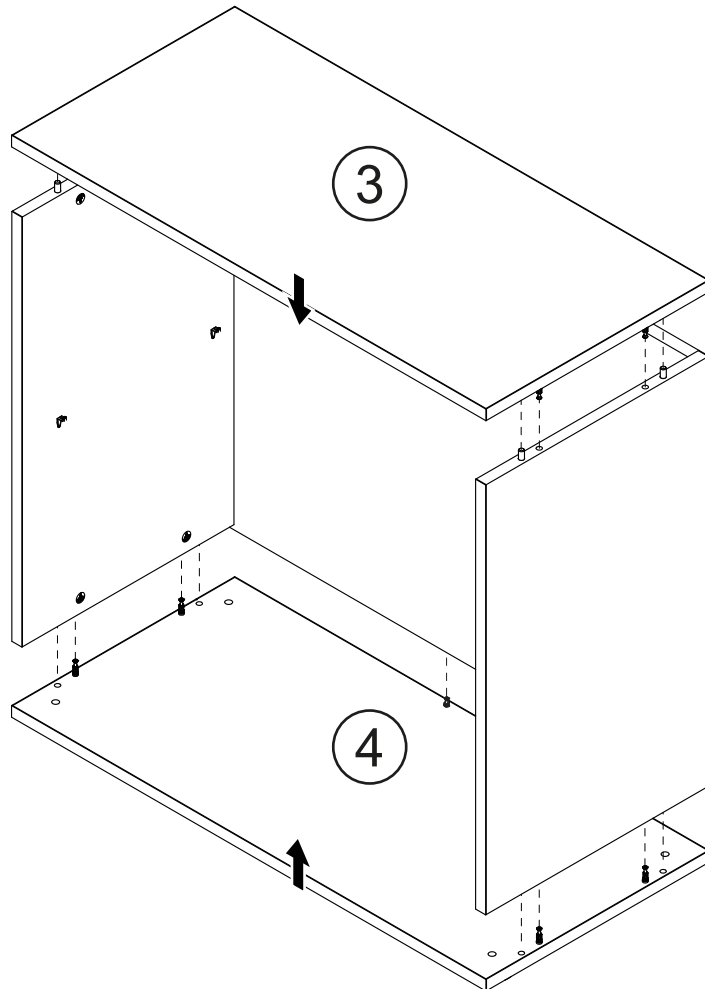
1



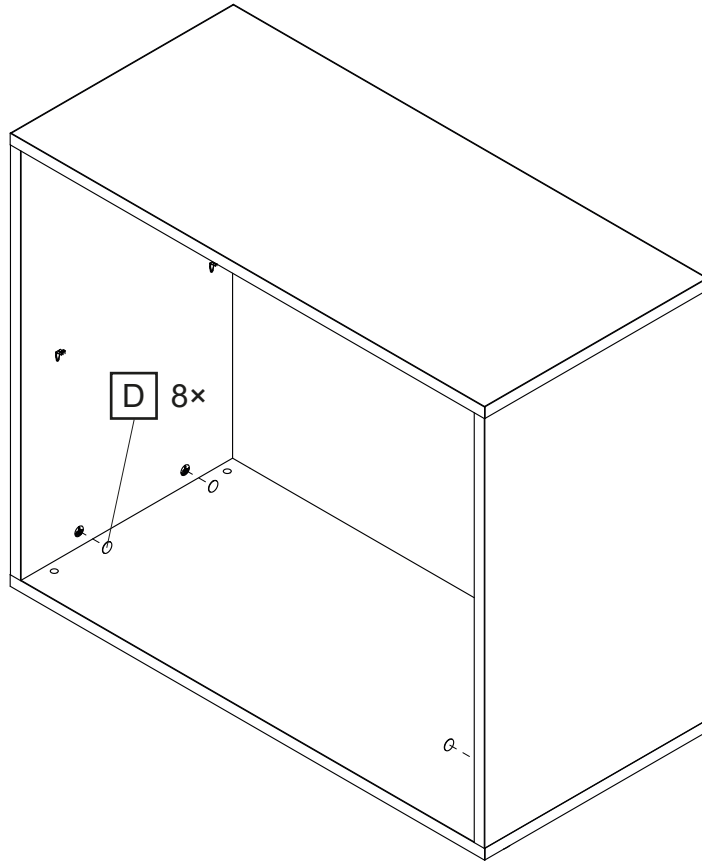
2



3



4



5

