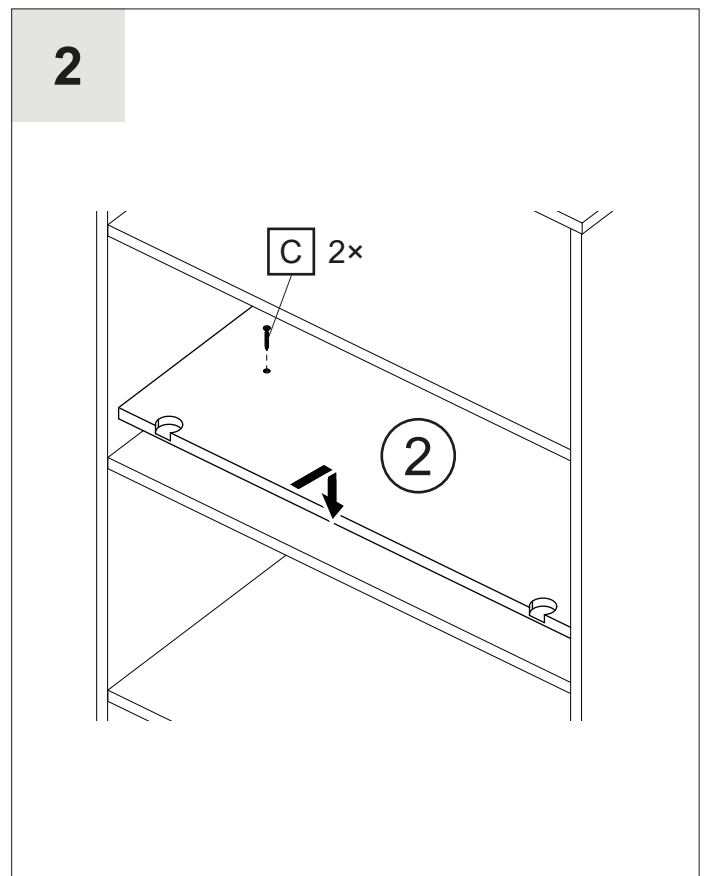
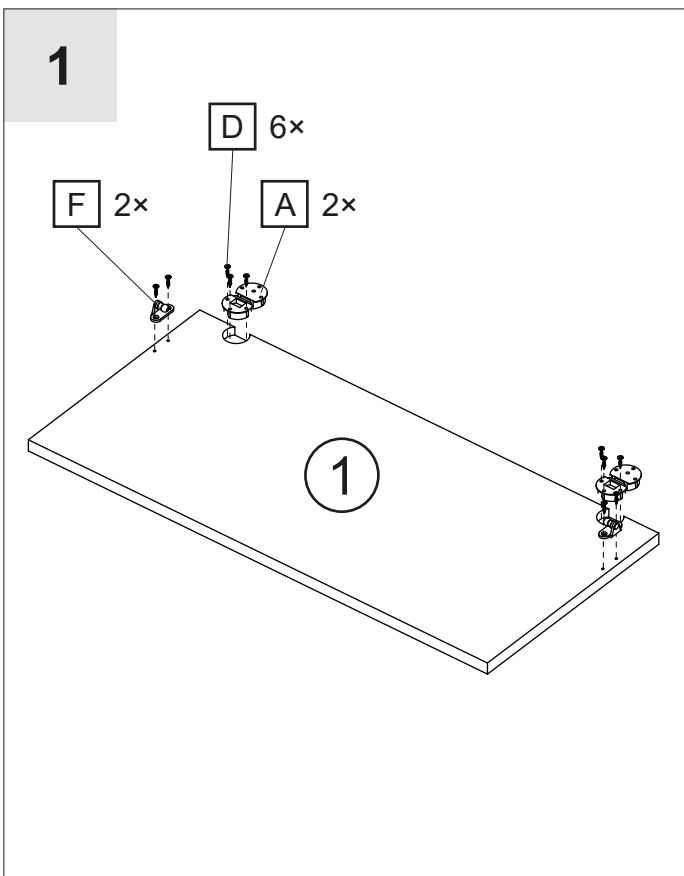
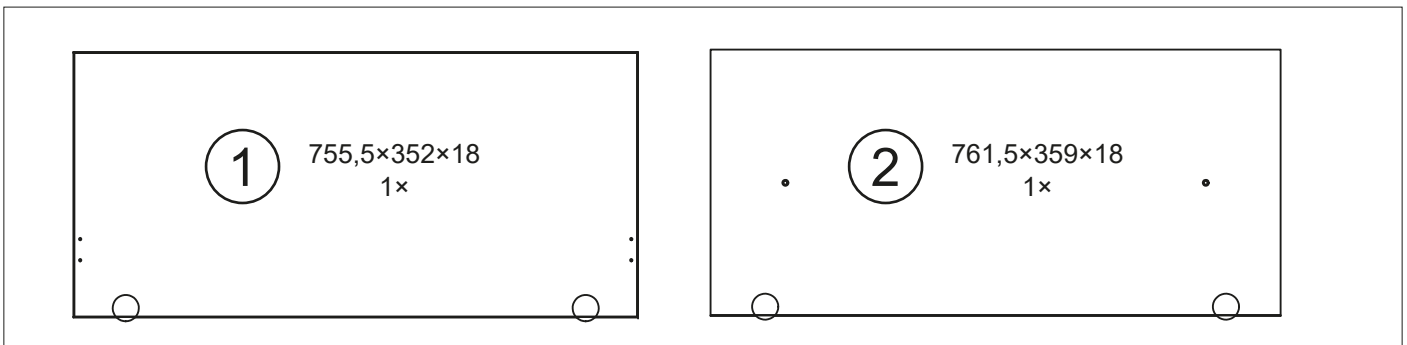
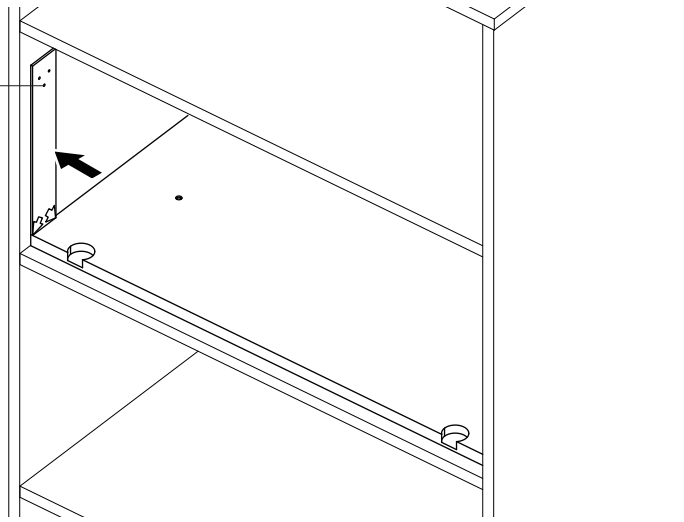
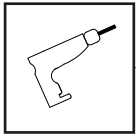
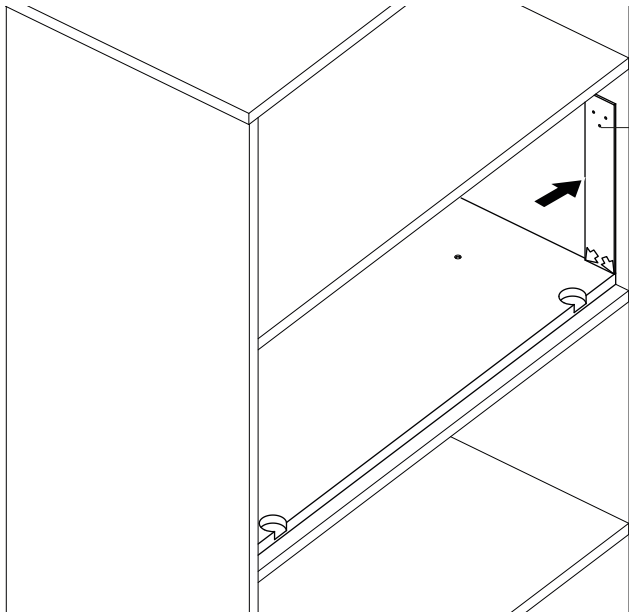
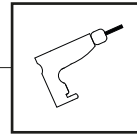

A 2x	B 1x	Ø5 x 30	Ø3 x 16	Ø3,5 x 16	F 2x



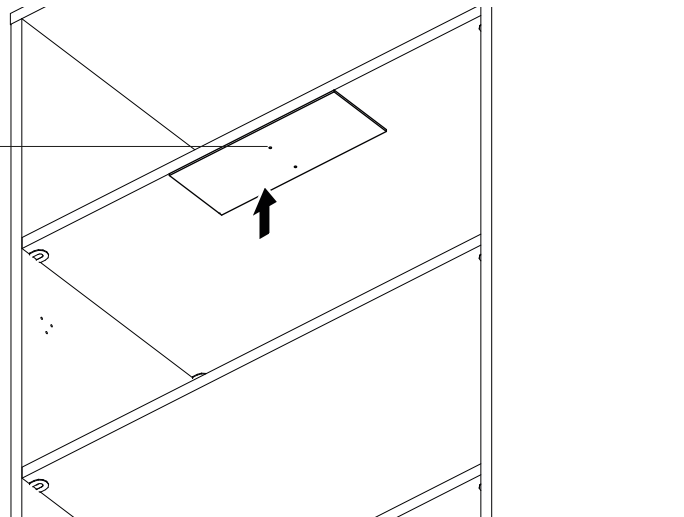
3



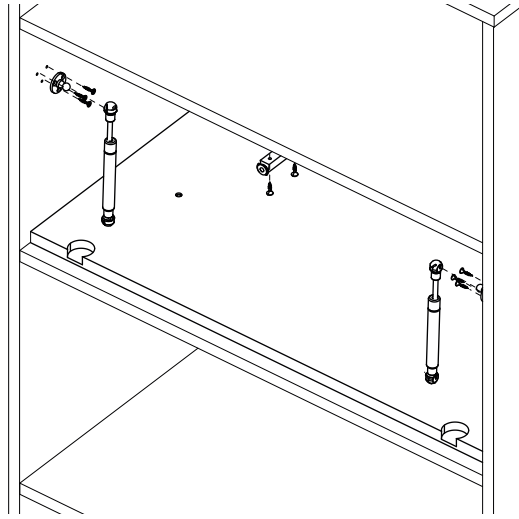
4



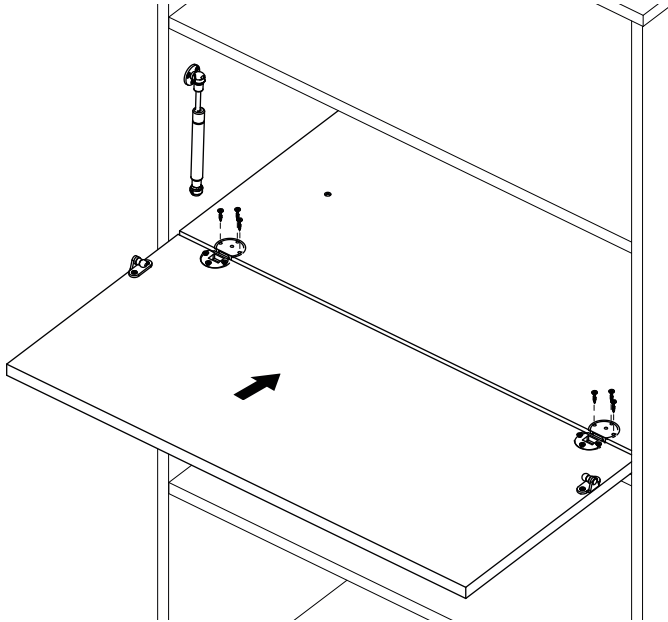
5



6



7



8

